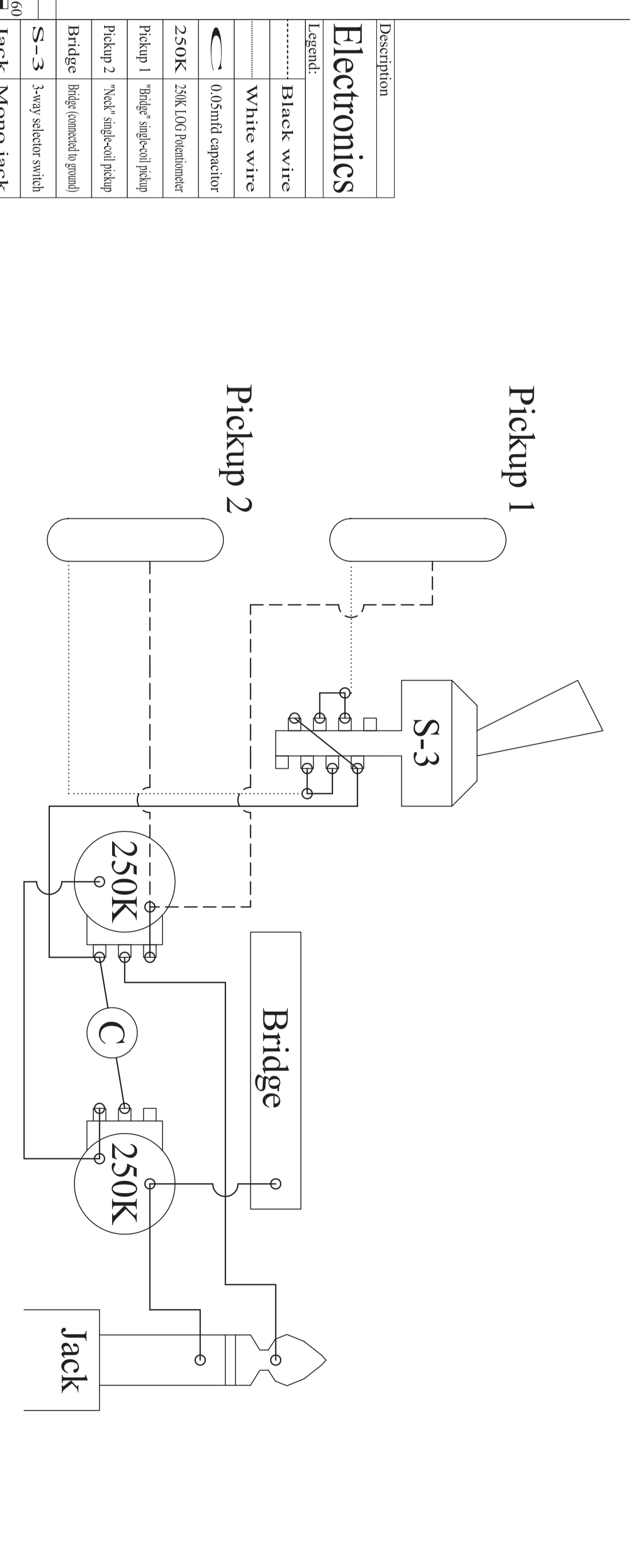
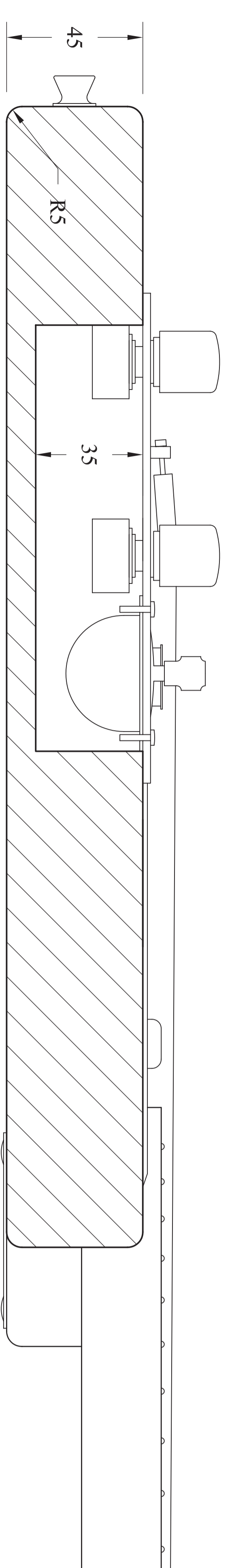


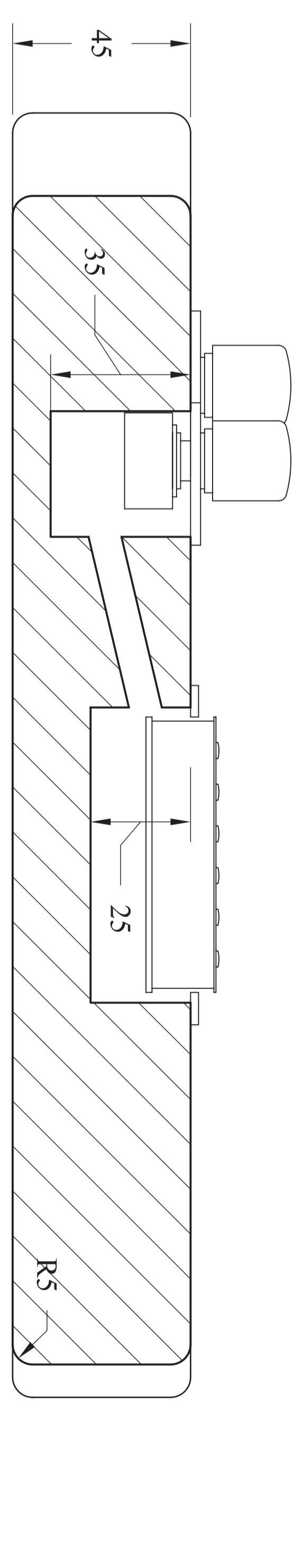
Description: Back plan view
Scale: 0 20 40 60



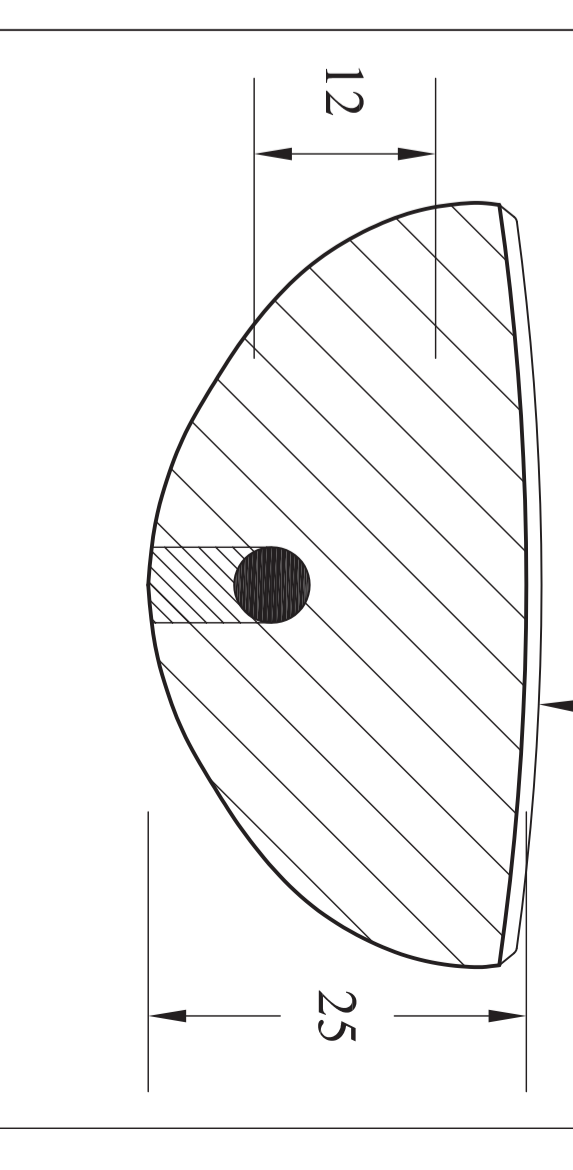
Description: Electronics
Scale: 0 10 20 30



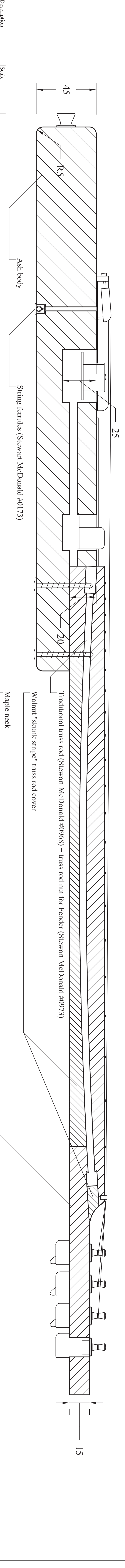
Description: Section BB
Scale: 0 10 20 30



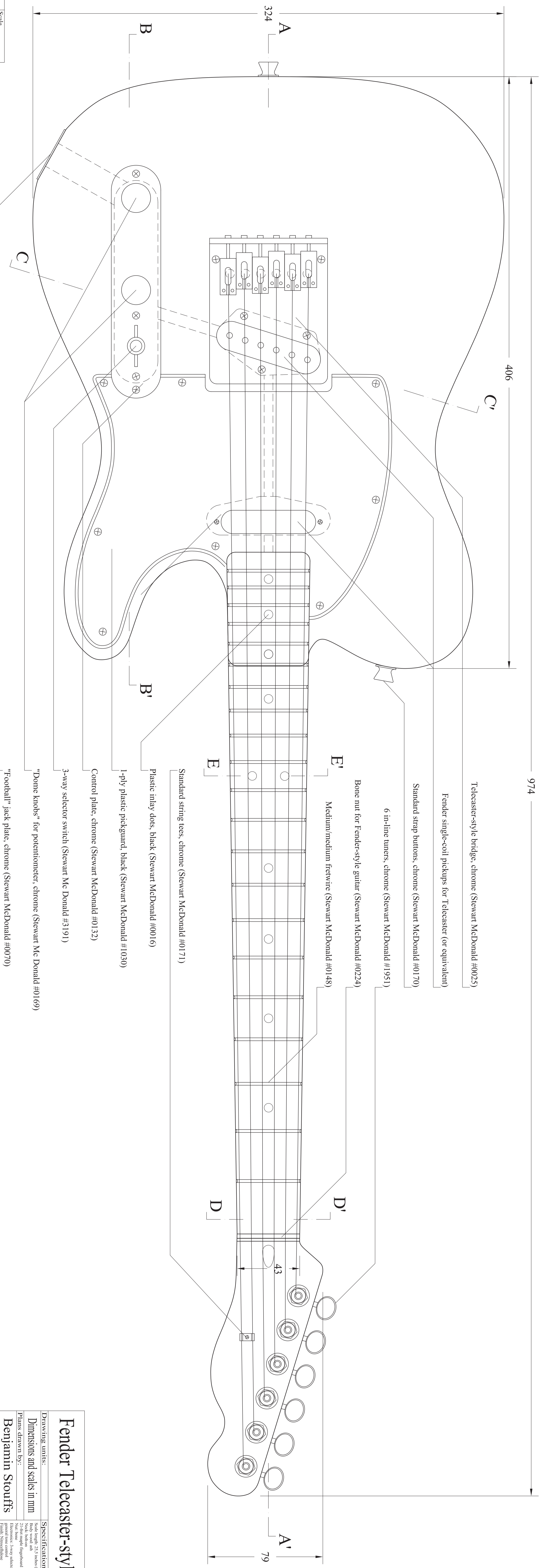
Description: Section CC
Scale: 0 10 20 30



Description: Section EE
Scale: 0 5 10 15



Description: Section AA
Scale: 0 10 20 30



Description: Front plan view
Scale: 0 10 20 30

- Telecaster-style bridge, chrome (Stewart McDonald #0025)
- Fender single-coil pickups for Telecaster (or equivalent)
- Standard strap buttons, chrome (Stewart McDonald #0170)
- 6 in-line tuners, chrome (Stewart McDonald #1951)
- Bone nut for Fender-style guitar (Stewart McDonald #0224)
- Medium/medium fretwire (Stewart McDonald #0148)
- Standard string tees, chrome (Stewart McDonald #0171)
- Plastic inlay dots, black (Stewart McDonald #0016)
- 1-ply plastic pickguard, black (Stewart McDonald #1030)
- Control plate, chrome (Stewart McDonald #0132)
- 3-way selector switch (Stewart McDonald #3191)
- "Dome knobs" for potentiometer, chrome (Stewart McDonald #0169)
- "Football" jack plate, chrome (Stewart McDonald #0070)

Fender Telecaster-style guitar

Drawing units: Dimensions and scales in mm

Plans drawn by: Benjamin Stouffs

Date: 05/01/2005

Specifications: 21 fret maple body, ash body, neck, and headstock. Standard Telecaster-style pickup selector switch, 3-way selector switch, potentiometer, control plate, and jack plate. Standard Telecaster-style bridge and pickup covers. Standard Telecaster-style bridge and pickup covers. Standard Telecaster-style bridge and pickup covers.