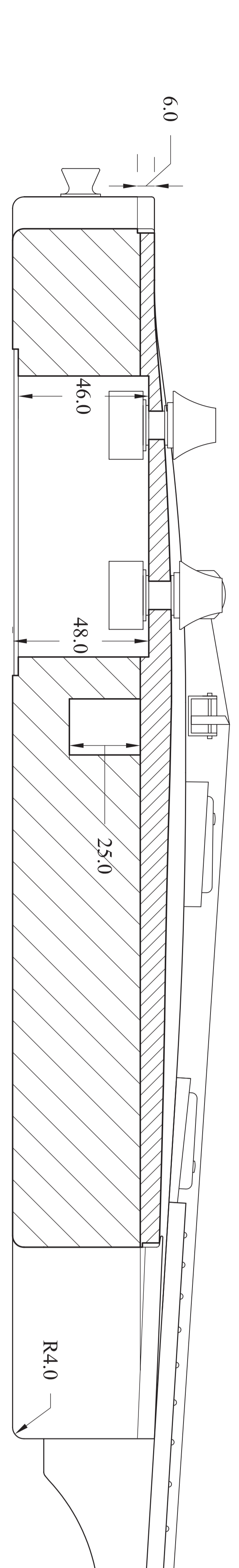
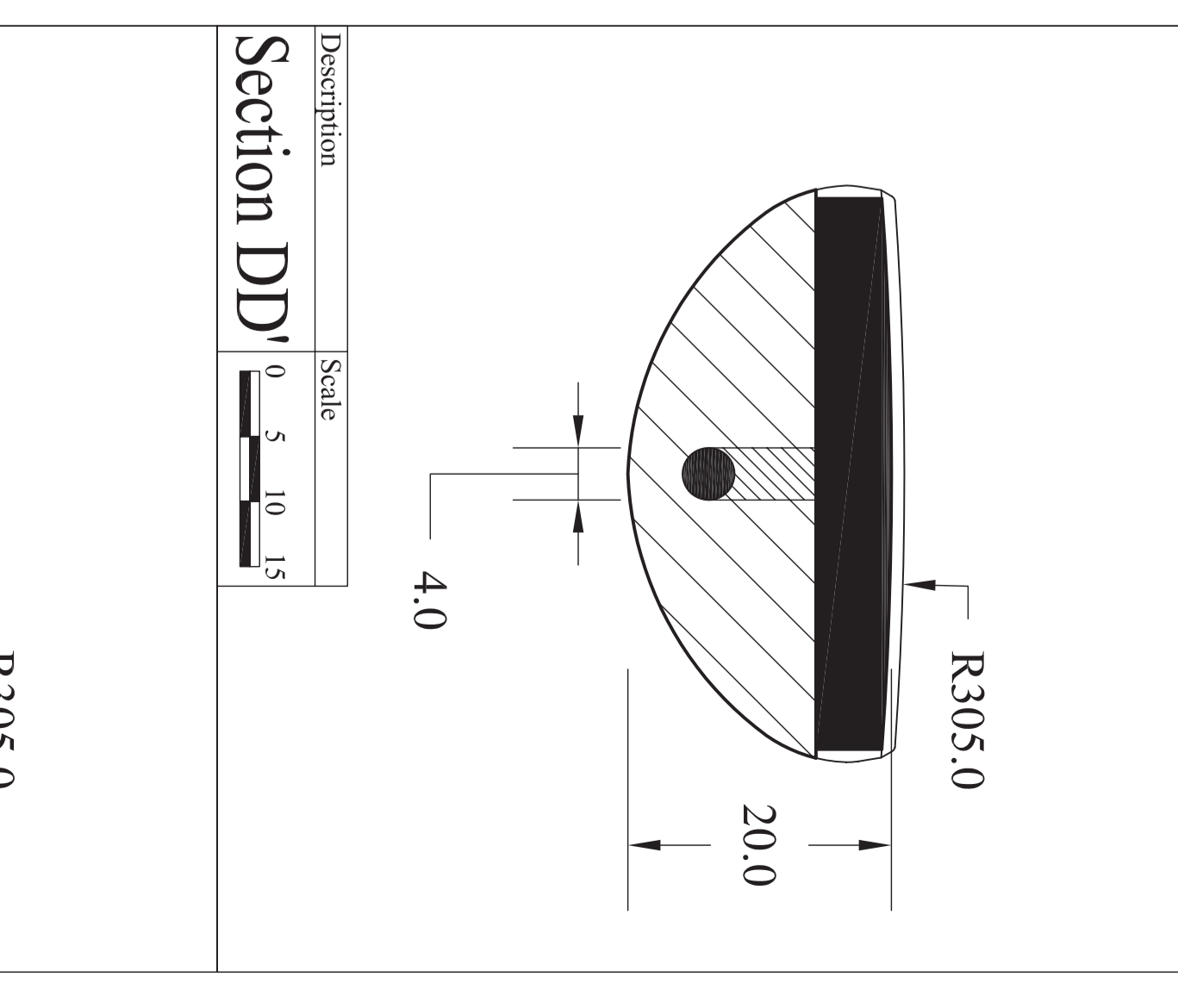
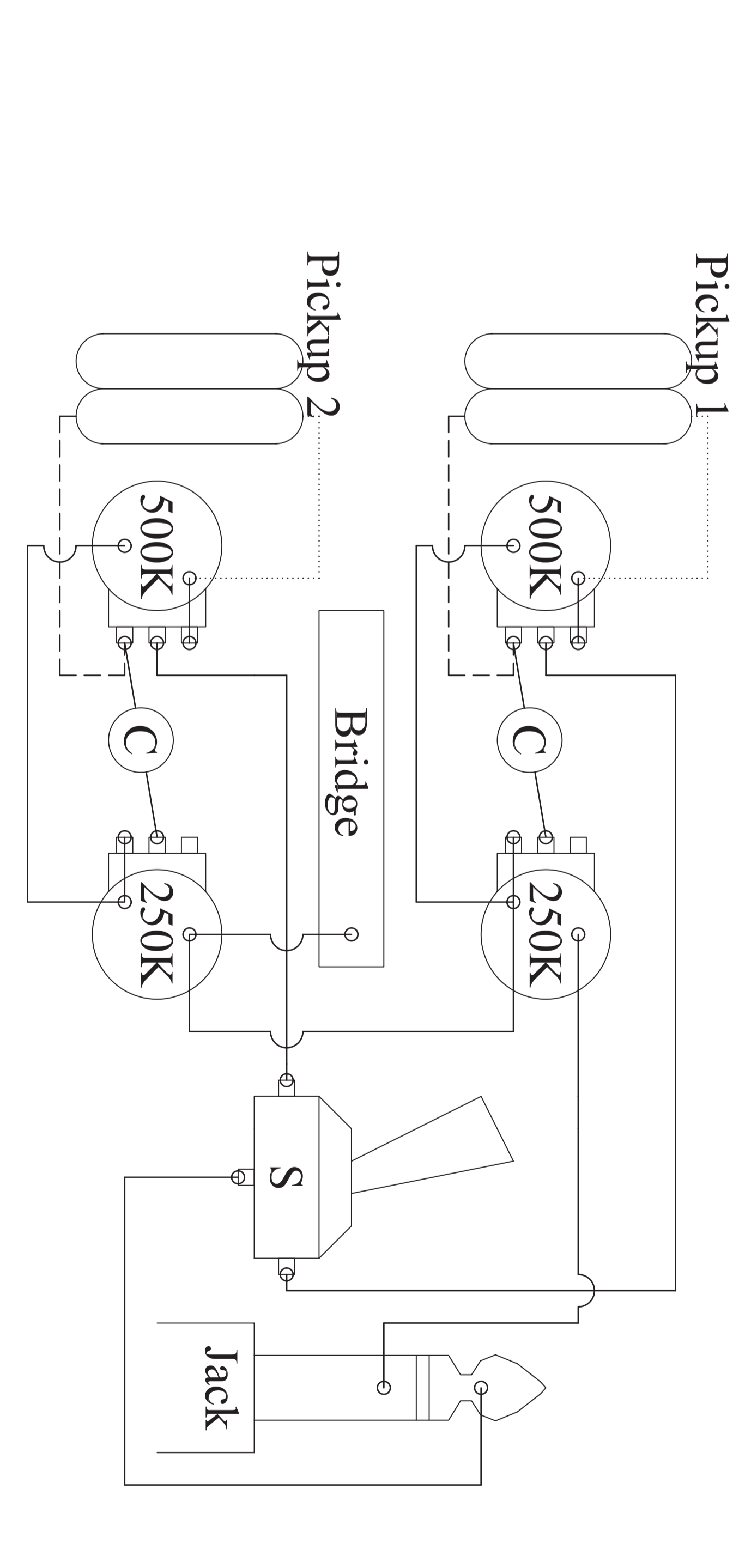


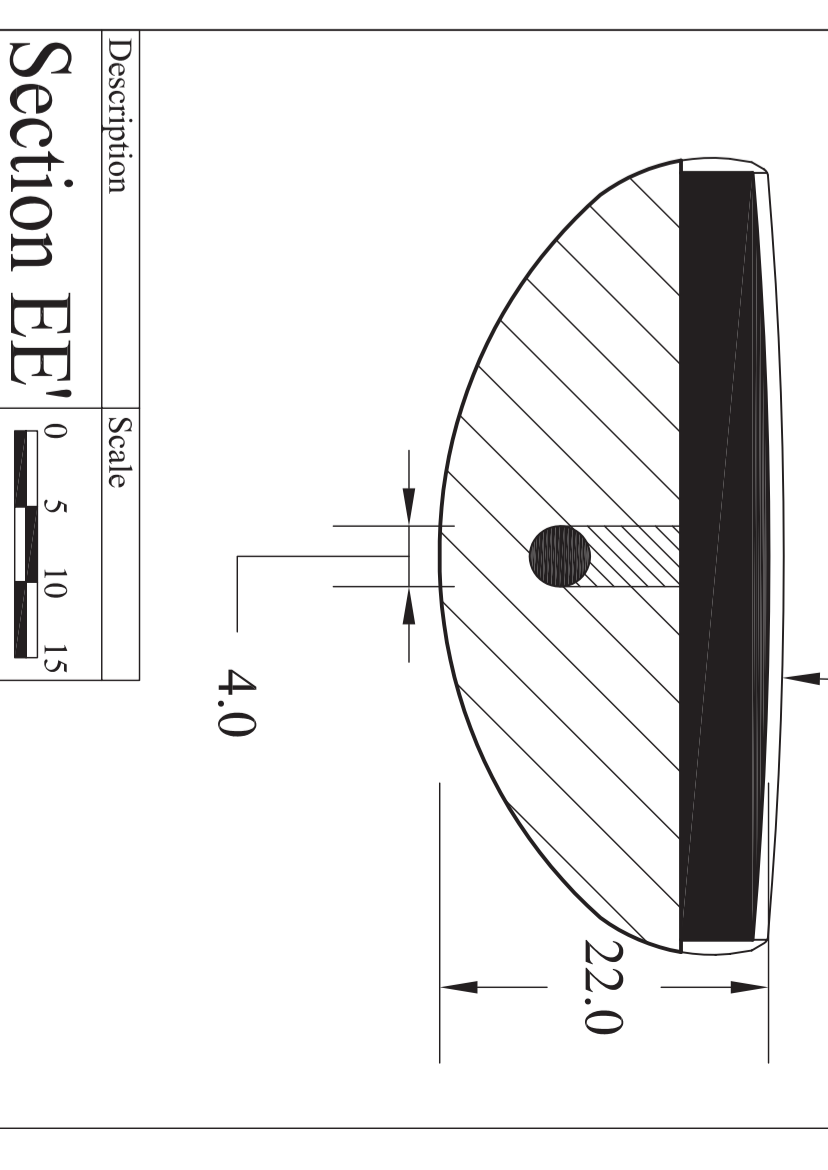
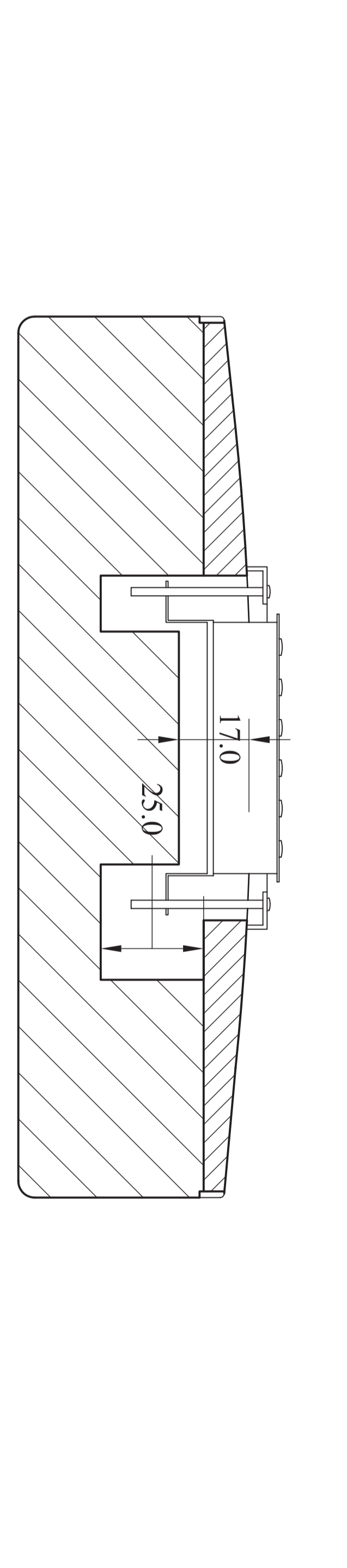
Back plan view

Description	Scale
0	10
10	20
20	30
30	40
40	50
50	60

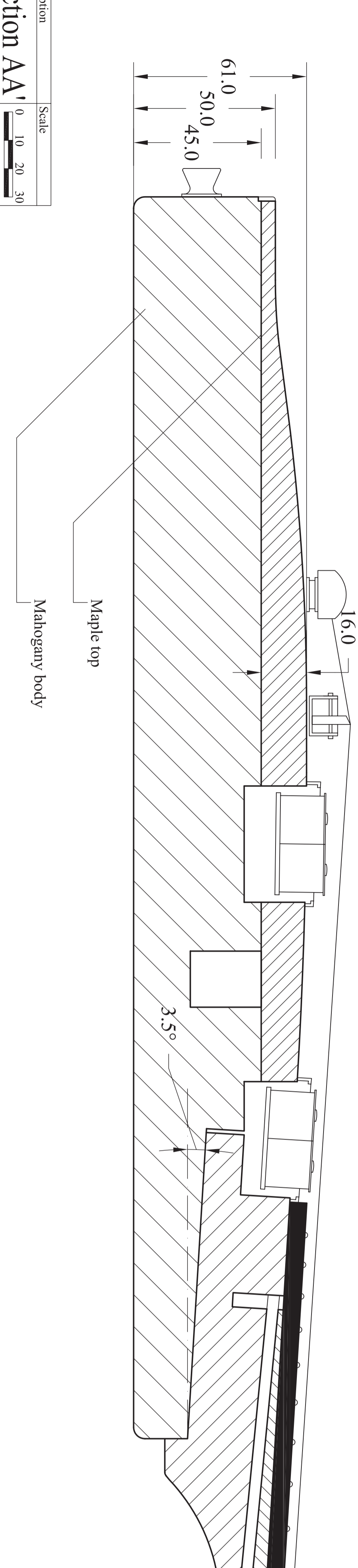


Section BB

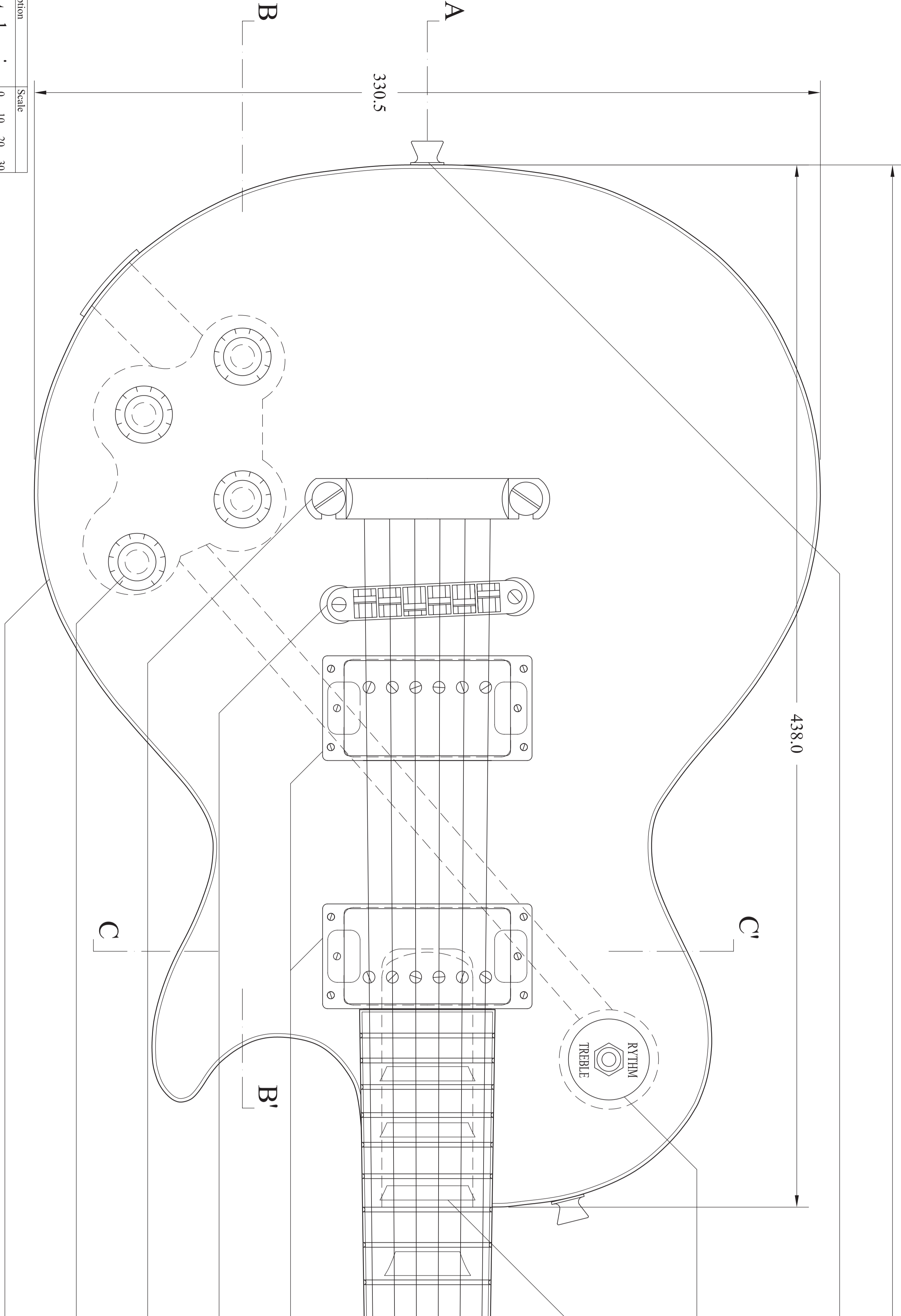
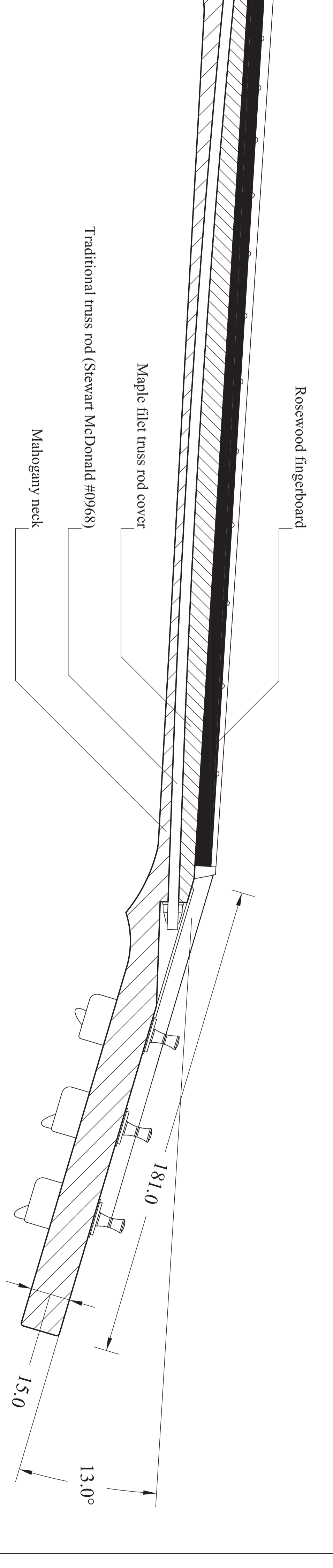
Description	Scale
0	10
10	20
20	30
30	40
40	50
50	60



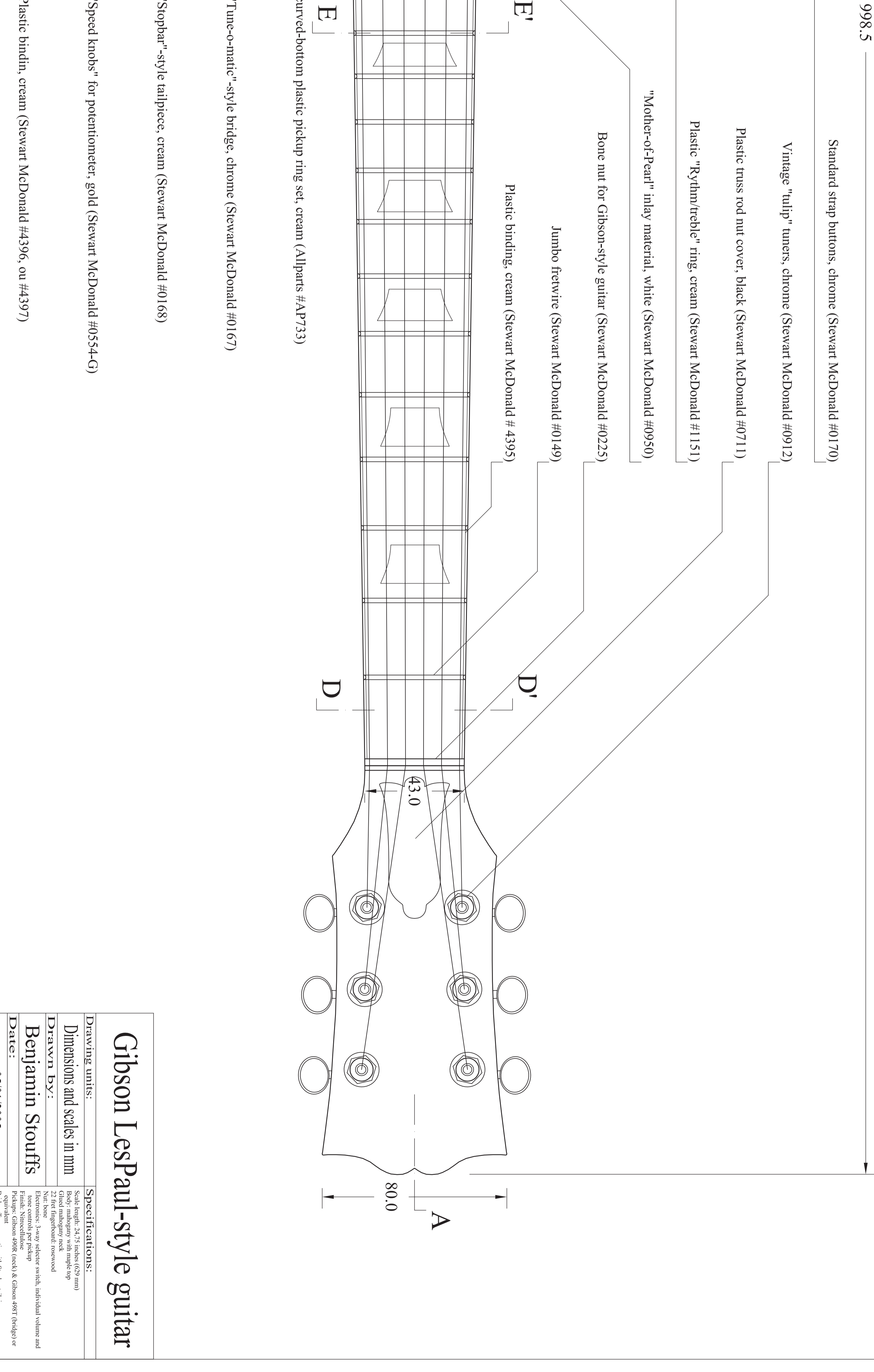
Section EE



Section AA



Front plan view



Description	Scale
0	5
5	10
10	15

- Standard strap buttons, chrome (Stewart McDonald #0170)
- Vintage "tulip" tuners, chrome (Stewart McDonald #0912)
- Plastic truss rod nut cover, black (Stewart McDonald #0711)
- Plastic "Rhythm/Treble" ring, cream (Stewart McDonald #1151)
- "Mother-of-Pearl" inlay material, white (Stewart McDonald #0950)
- Bone nut for Gibson-style guitar (Stewart McDonald #0225)
- Jumbo fretwire (Stewart McDonald #0149)
- Plastic binding, cream (Stewart McDonald # 4395)
- curved-bottom plastic pickup ring set, cream (Allparts #AP733)
- "Tune-o-matic"-style bridge, chrome (Stewart McDonald #0167)
- "Slopher"-style tailpiece, cream (Stewart McDonald #0168)
- "Speed knobs" for potentiometer, gold (Stewart McDonald #0554-C)
- Plastic binding, cream (Stewart McDonald #4396, or #4397)

**Gibson LesPaul-style guitar**

Drawing units: Dimensions and scales in mm

Drawn by: Benjamin Stouffs

Date: 05/01/2005

Specifications: Body of mahogany with maple top. 22 fret, unpickup, rosewood fretboard. Standard Gibson-style bridge and tailpiece. Cream-colored finish. Gibson-style headstock.