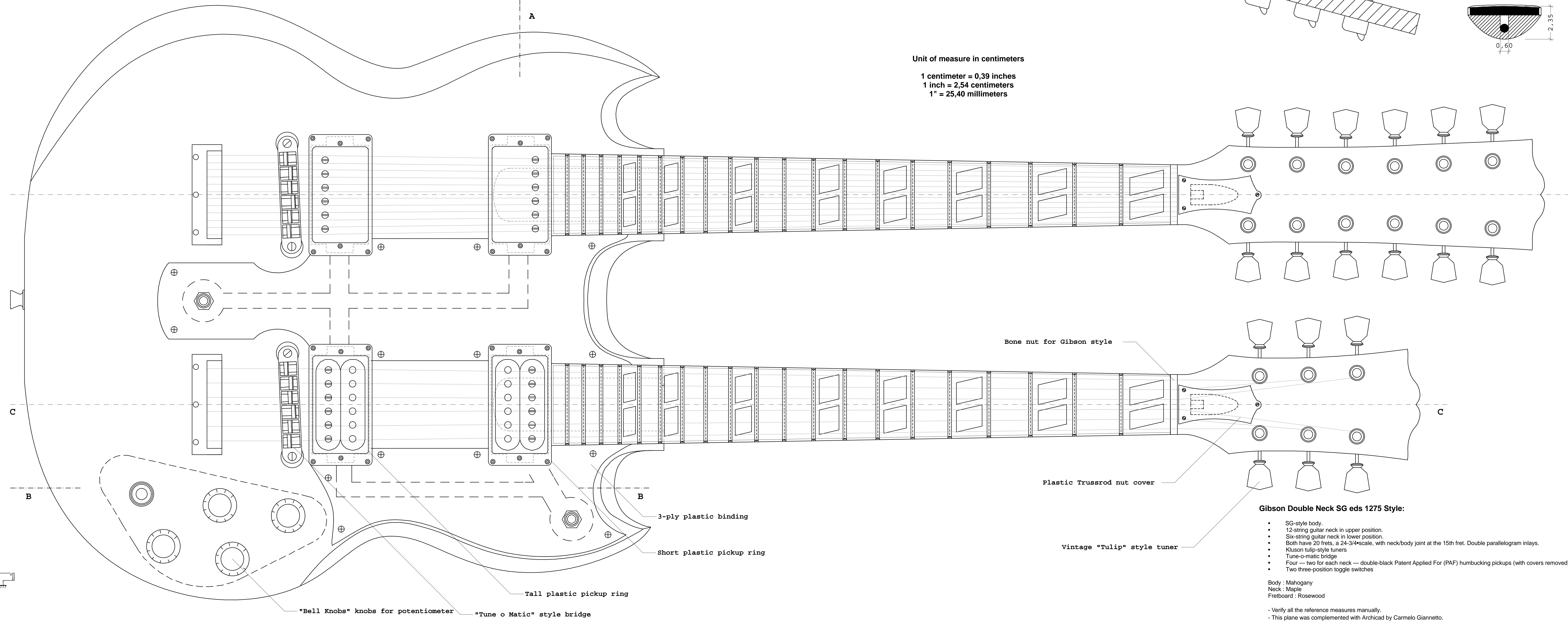
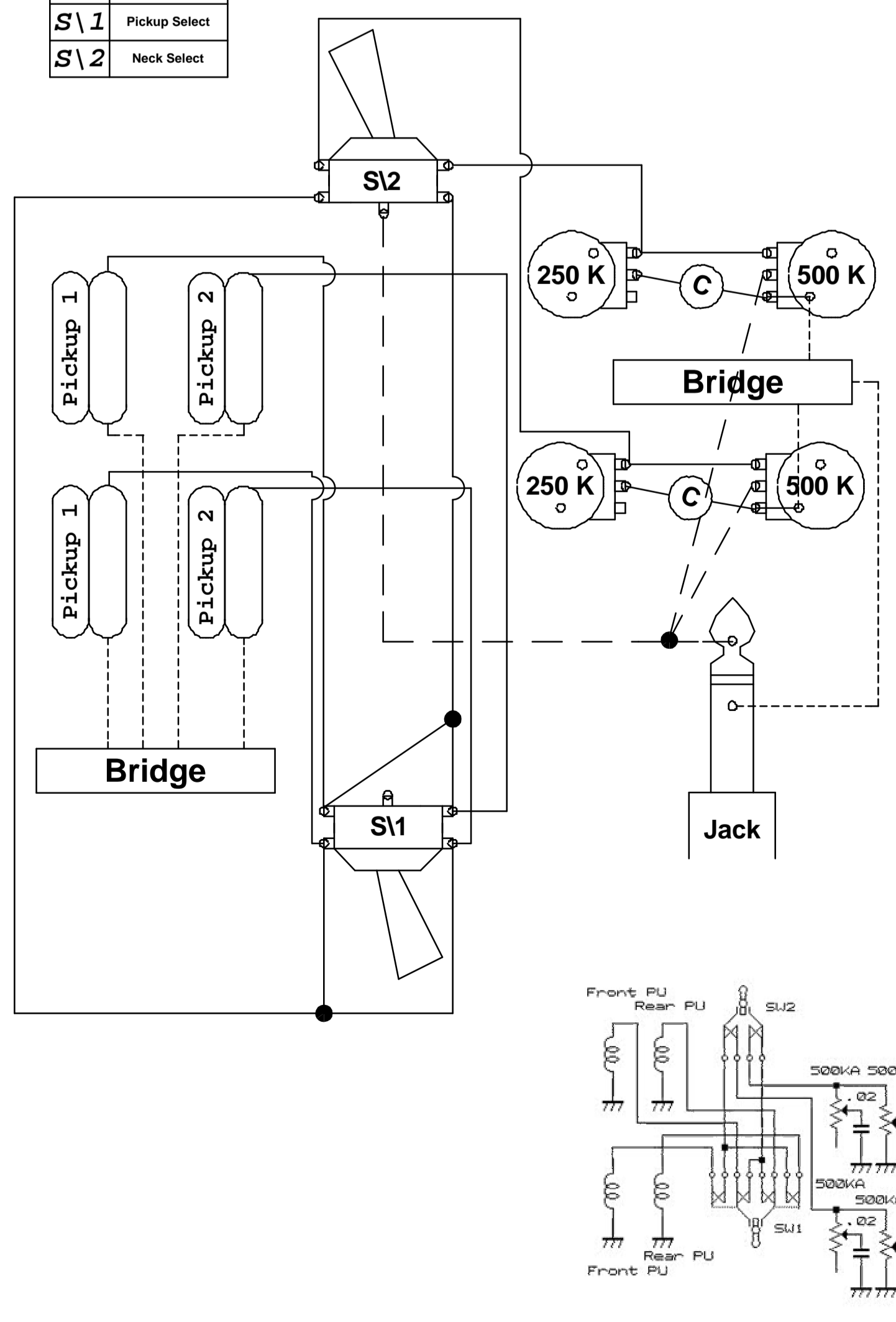


Scale Length: 628,7 mm (millimeters)

Fret Number	mm from Nut	mm from Fret
1	35,3	35,3
2	68,6	33,4
3	100,1	31,5
4	129,7	29,7
5	157,7	28,1
6	184,2	26,5
7	209,1	25,0
8	232,7	23,6
9	254,9	22,3
10	275,9	21,0
11	295,7	19,9
12	314,4	18,7
13	332,0	17,7
14	348,7	16,7
15	364,4	15,8
16	379,2	14,9
17	393,2	14,1
18	406,4	13,3
19	418,9	12,5
20	430,7	11,8

Unit of measure in centimeters
 1 centimeter = 0,39 inches
 1 inch = 2,54 centimeters
 1" = 25,40 millimeters

Description
Electronics
C 0,02 micro capacitor
250 K Potentiometer ton
500 K Potentiometer vol
S1 1 Pickup Select
S1 2 Neck Select



- Gibson Double Neck SG eds 1275 Style:**
- SG-style body.
 - 12-string guitar neck in upper position.
 - Six-string guitar neck in lower position.
 - Both have 20 frets, a 24-3/4" scale, with neck/body joint at the 15th fret. Double parallelogram inlays.
 - Kluson tulip-style tuners.
 - Tune-o-matic bridge.
 - Four — two for each neck — double black Patent Applied For (PAF) humbucking pickups (with covers removed).
 - Two three-position toggle switches.

Body: Mahogany
 Neck: Maple
 Fretboard: Rosewood

- Verify all the reference measures manually.
 - This plane was complemented with Archicad by Carmelo Giannetto.