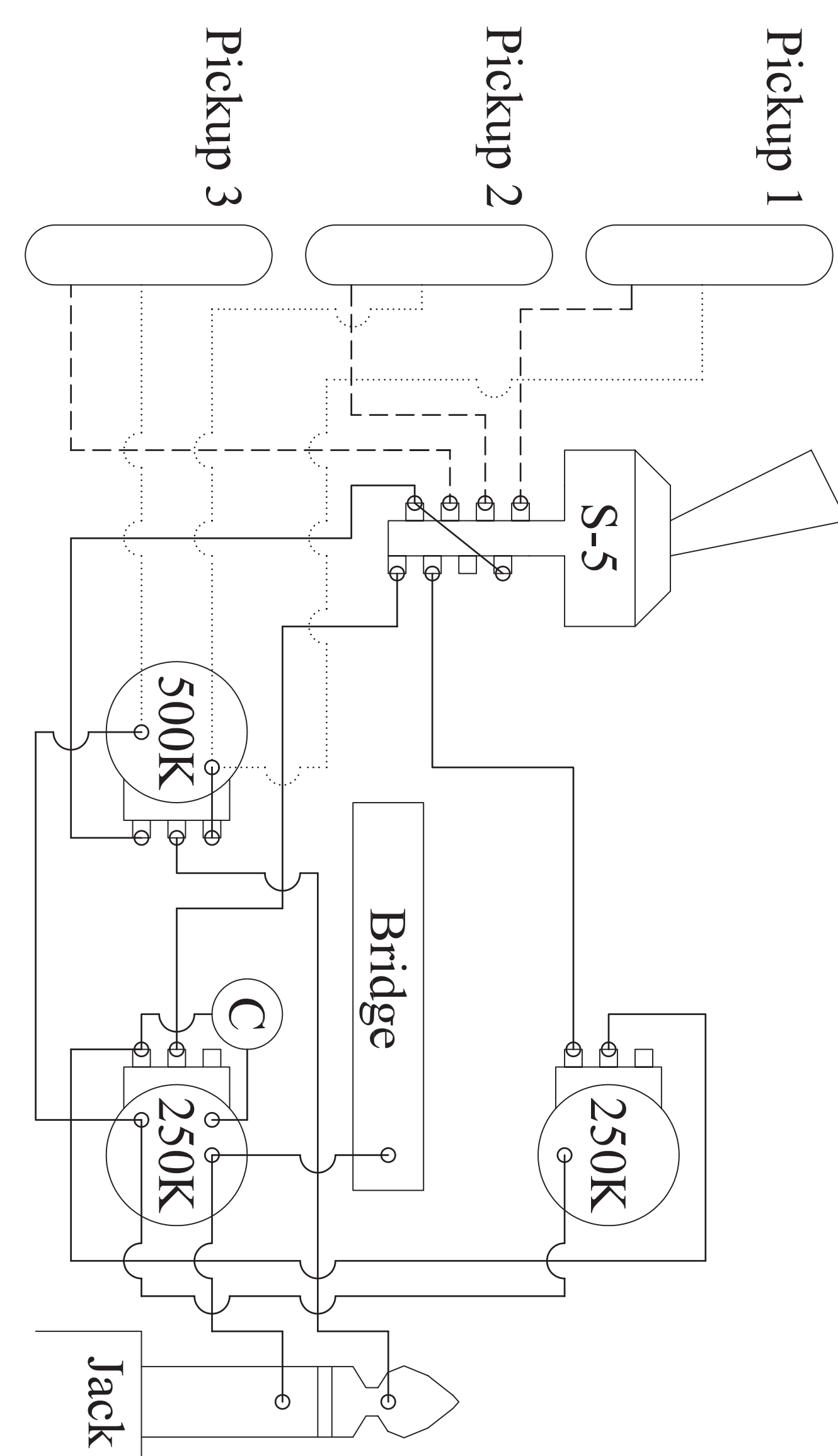
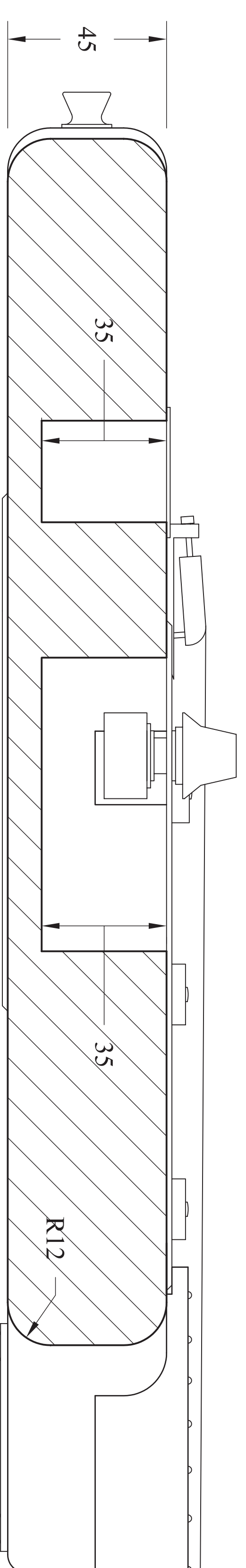
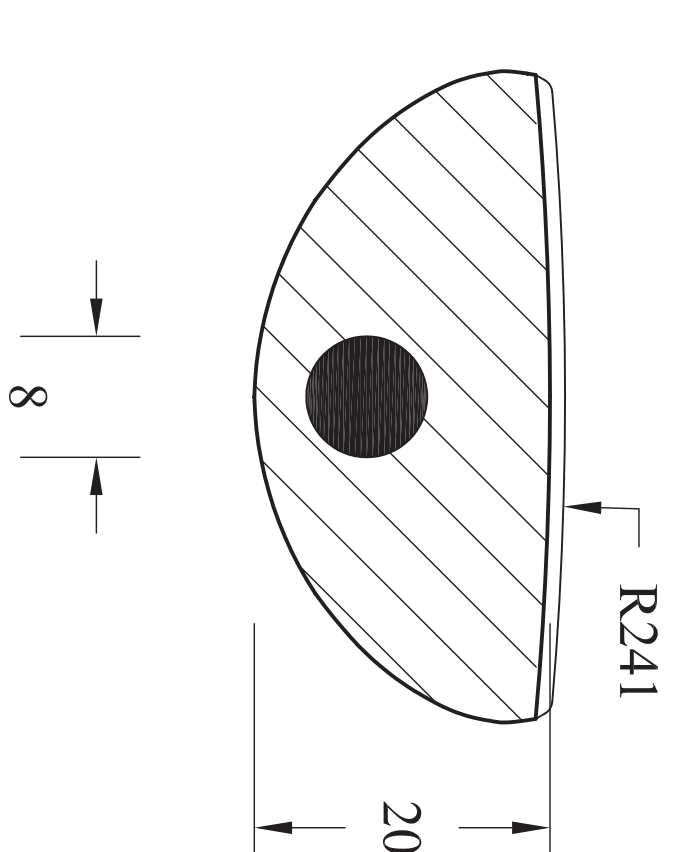


Description Scale
Back plan view 0 20 40 60

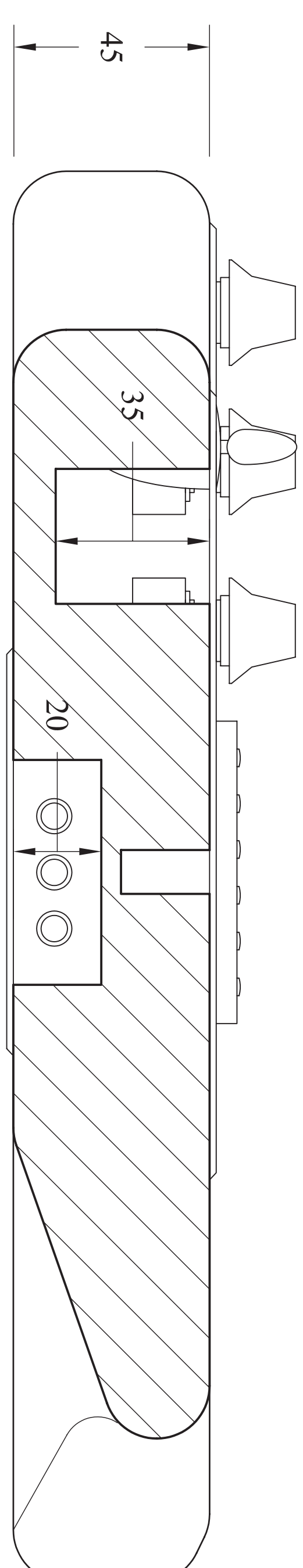
Description	
.....	Black wire
.....	White wire
.....	1000nf capacitor
.....	250K 5% 100 potentiometer
.....	500K 5% 100 potentiometer
.....	Bridge 1 bridge pickup
.....	Pickup 1 middle pickup
.....	Pickup 2 neck pickup
.....	Pickup 3 neck pickup
.....	Bridge 1 bridge pickup
.....	S-S 5-way selector switch
.....	Jack Mono Jack



Description Scale
Section DD 0 5 10 15

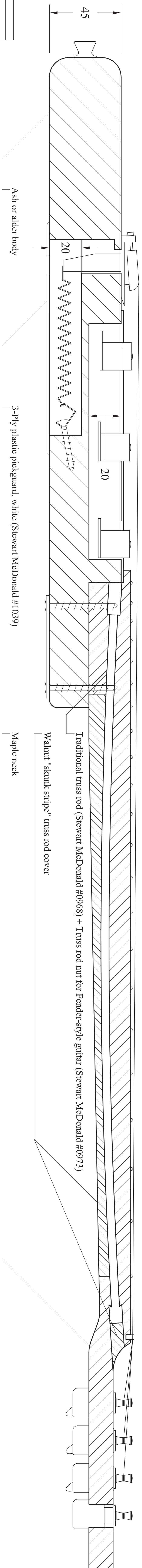
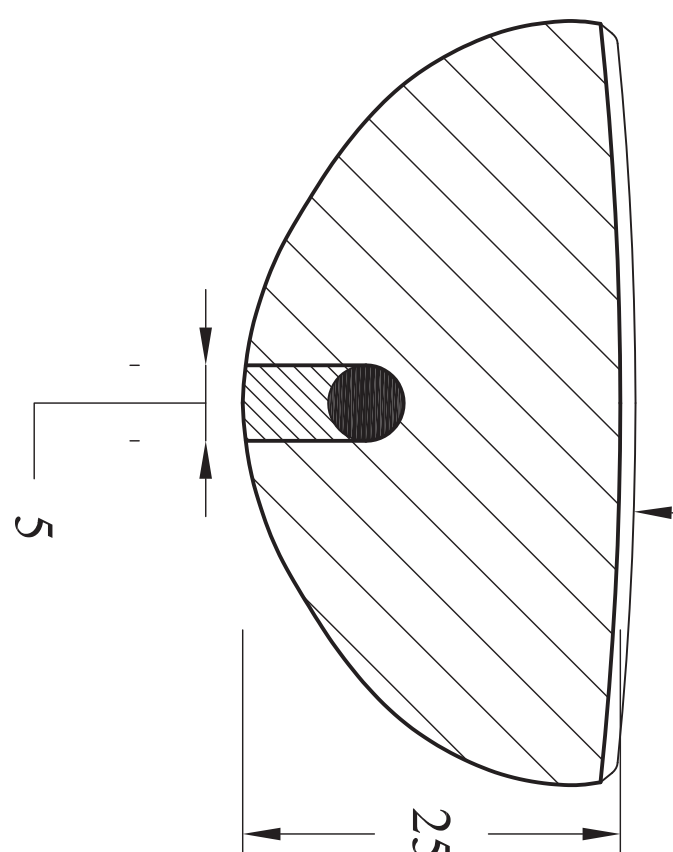


Description Scale
Section BB 0 10 20 30

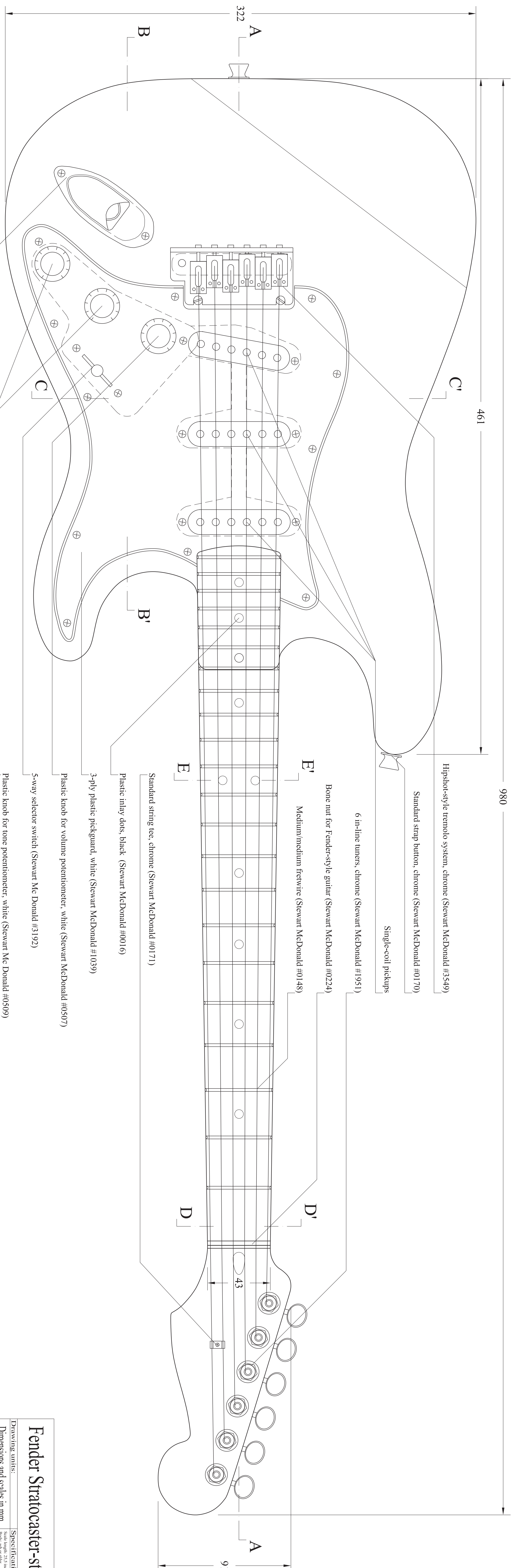


Description Scale
Section CC 0 10 20 30

Description Scale
Section EE 0 5 10 15



Description Scale
Section AA 0 10 20 30



Description Scale
Front plan view 0 10 20 30

- Hipshot-style tremolo system, chrome (Stewart McDonald #3549)
- Standard strap button, chrome (Stewart McDonald #0170)
- Single-coil pickups
- 6 in-line tuners, chrome (Stewart McDonald #1951)
- Bone nut for Fender-style guitar (Stewart McDonald #0224)
- Medium/medium fretwire (Stewart McDonald #0148)
- Standard string tee, chrome (Stewart McDonald #0171)
- Plastic inlay dots, black (Stewart McDonald #0016)
- 3-ply plastic pickguard, white (Stewart McDonald #1039)
- Plastic knob for volume potentiometer, white (Stewart McDonald #0507)
- 5-way selector switch (Stewart Mc Donald #3192)
- Plastic knob for tone potentiometer, white (Stewart Mc Donald #0509)
- Star-style jack plate, chrome (Stewart McDonald #0134)

Fender Stratocaster-style guitar

Drawing units:
Dimensions and scales in mm
DRAWN BY:
Benjamin Stouffs
DATE:
05/01/2005

Copyright © 2005 Benjamin Stouffs, All rights reserved.